

**Thermoregulator  
Freezer - 2M - full door**

# CABINETS MASS/GAB R290

PNC	MODEL	REF	PAGE	DESCRIPTION	NOTE/ BRAND
110363	ZRX142FFCG	d	3-7	2-DR FREEZER 1430L -22/-15°C,DIG(R290)UK	Zanussi
110374	ZR4142FFCG	e	3-7	2-DR FREEZ.1430L -22-15°,DIG,S/S(R290)UK	Zanussi
110380	ZRX142FFH	f	3-7	2-DR FREEZER 1430L -22-15°,DIG(R290)	Zanussi
110877	ZRX142FFH	p	3-7	2-DOOR FREEZER 1430L -15/-20°C,DIGITAL WITH LIGHT-R290	Zanussi
<b>110938</b>	<b>ZR4142FFCG</b>	<b>e</b>	<b>3-7</b>	<b>2-DOOR FREEZER+WHEELS 1430L -22-15°, DIGITAL, S/S, R290 - UK</b>	<b>Zanussi</b>
<b>110944</b>	<b>ZRX142FFH</b>	<b>f</b>	<b>3-7</b>	<b>2-DOOR FREEZER 1430L -22-15°,DIGITAL, A304 - R290</b>	<b>Zanussi</b>
<b>110976</b>	<b>ZRX142FFH</b>	<b>p</b>	<b>3-7</b>	<b>2-DOOR FREEZER 1430L -22-15°C, DIGITAL WITH LIGHT, A304-R290</b>	<b>Zanussi</b>
<b>190E0D</b>	<b>ZRX142FFH</b>	<b>j</b>	<b>3-7</b>	<b>2-DOOR FREEZER 1430L -22-15°,DIGITAL, A3</b>	<b>Zanussi</b>
<b>190EL1</b>	<b>REX142FFH</b>	<b>s</b>	<b>3-7</b>	<b>2-DOOR FREEZER 1430L -22-15°C, DIGITAL,</b>	<b>EPR</b>
725174	EX142FFHW	r	3-7	2-DOOR FREEZER 1430L -22-15°C, DIGIT + WHEELS 881002	EPR
725183	EX142FFHW	q	3-7	2-DR FREEZER 1430L WITH WHEELS -22-15°,DIG(R290)	EPR
<b>725263</b>	<b>EX142FFHW</b>	<b>r</b>	<b>3-7</b>	<b>2-DOOR FREEZER 1430L+WHEELS (881002) -22-15°C, DIGITAL, A304 - R290</b>	<b>EPR</b>
<b>725292</b>	<b>RE4142FFCG</b>	<b>b</b>	<b>3-7</b>	<b>2-DOOR FREEZER 1430L -22-15°C, DIGITAL, S/S, R290-UK</b>	<b>EPR</b>
<b>725320</b>	<b>REX142FFSS</b>	<b>c</b>	<b>3-7</b>	<b>2-DOOR FREEZER 1430L -22-15°C, DIGITAL- FULL A304 - R290</b>	<b>EPR</b>
<b>725324</b>	<b>REX142FFH</b>	<b>c</b>	<b>3-7</b>	<b>2-DOOR FREEZER 1430L -22-15°C, DIGITAL, A304 - R290</b>	<b>EPR</b>
<b>725394</b>	<b>REX142FFH</b>	<b>p</b>	<b>3-7</b>	<b>2-DOOR FREEZER 1430L -22-15°C, DIGITAL WITH LIGHT, A304-R290</b>	<b>EPR</b>
<b>725489</b>	<b>REX142FFHM</b>	<b>k</b>	<b>3-7</b>	<b>2-DOOR FREEZER 1430L -22-15°C, DIGITAL A304 - R290 - MARINE</b>	<b>EPR</b>
727402	REX142FFCG	a	3-7	2-DR FREEZER 1430L -22/-15°C,DIG(R290)UK	EPR
727413	RE4142FFCG	b	3-7	2-DR FREEZ.1430L -22-15°,DIG,S/S(R290)UK	EPR
727467	REX142FFH	c	3-7	2-DR FREEZER 1430L -22-15°,DIG(R290)	EPR
727995	REX142FFH	p	3-7	2-DOOR FREEZER 1430L -15/-20°C,DIGITAL WITH LIGHT-R290	EPR
728947	ARX142FFHW	o	3-7	2-DR FREEZER 1430L -22-15°,DIG (R290)+WHEELS	Alpen
729104	ARX142FFCG	g	3-7	2-DR FREEZER 1430L -22/-15°C,DIG(R290)UK	Alpen

**Note:** per la corretta identificazione dei componenti, attenersi esclusivamente alle pagine indicate e alla lettera di riferimento.

**Note:** for the correct identification of the components, follow the indicated pages and the reference letter.

Pag.	Index	Indice
3	Cabinet and door	Armadio e porta
4	Cooling unit assembly up to wk 37/2021	Gruppo refrigerante fino a wk 37/2021
5	Cooling unit assembly from wk 38/2021	Gruppo refrigerante da wk 38/2021
6	Control panel up to wk 37/2021	Pannello comandi fino a wk 37/2021
7	Control panel from wk 38/2021	Pannello comandi da wk 38/2021
8-10	Spare parts list	Lista ricambi

**Thermoregulator  
Freezer - 2M - full door**

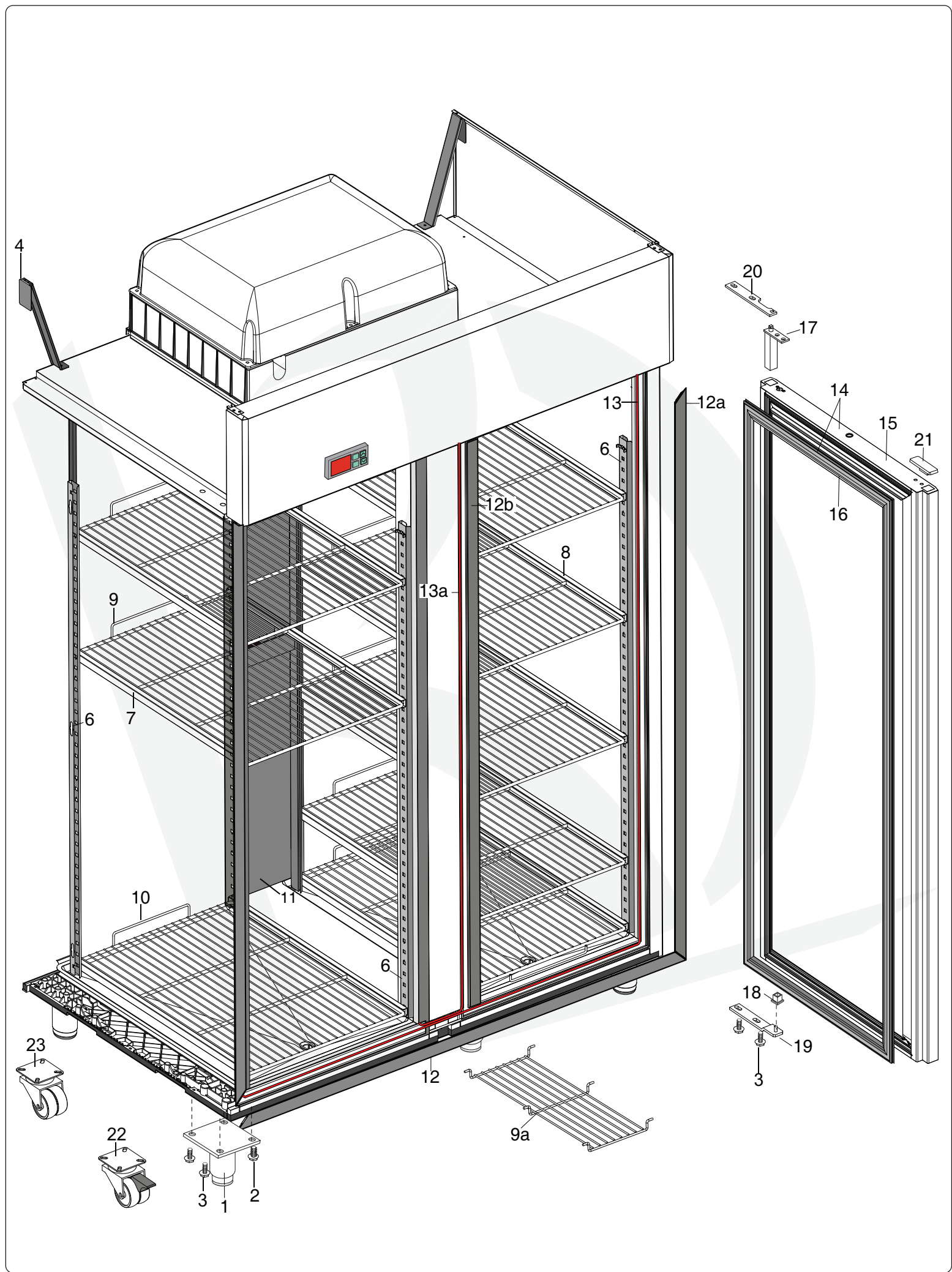
# CABINETS MASS/GAB R290

PNC	MODEL	REF	PAGE	DESCRIPTION	NOTE/ BRAND
729115	AR4142FFCG	h	3-7	2-DR FREEZ.1430L -22-15°,DIG,S/S(R290)UK	Alpen
729121	ARX142FFH	i	3-7	2-DR FREEZER 1430L -22-15°,DIG(R290)	Alpen
729322	NRX142FFCG	l	3-7	2-DR FREEZER 1430L -22/-15°C,DIG(R290)UK	To brand
729332	BR4142FFCG	m	3-7	2-DR FREEZ.1430L -22-15°,DIG,S/S(R290)UK	To brand
729337	NRX142FFH	n	3-7	2-DR FREEZER 1430L -22-15°,DIG(R290)	To brand
729524	ARX142FFH	p	3-7	2-DOOR FREEZER 1430L -15/-20°C,DIGITAL WITH LIGHT-R290	Alpen
<b>729637</b>	<b>ARX142FFHW</b>	<b>o</b>	<b>3-7</b>	<b>2-DOOR FREEZER 1430L+WHEELS -22-15°C, DIGITAL, A304 - R290</b>	<b>Alpen</b>
<b>729647</b>	<b>AR4142FFCG</b>	<b>h</b>	<b>3-7</b>	<b>2-DOOR FREEZER+WHEELS 1430L -22-15°, DIGITAL, S/S, R290 - UK</b>	<b>Alpen</b>
729652	ARX142FFH	i	3-7	2-DOOR FREEZER 1430L -22-15°C, DIGITAL, A304 - R290	Alpen
729660	NRX142FFH	n	3-7	2-DOOR FREEZER 1430L -22-15°,DIG(R290)	To brand
729670	ARX142FFH	p	3-7	2-DOOR FREEZER 1430L -22-15°C, DIGITAL WITH LIGHT, A304 - R290	Alpen

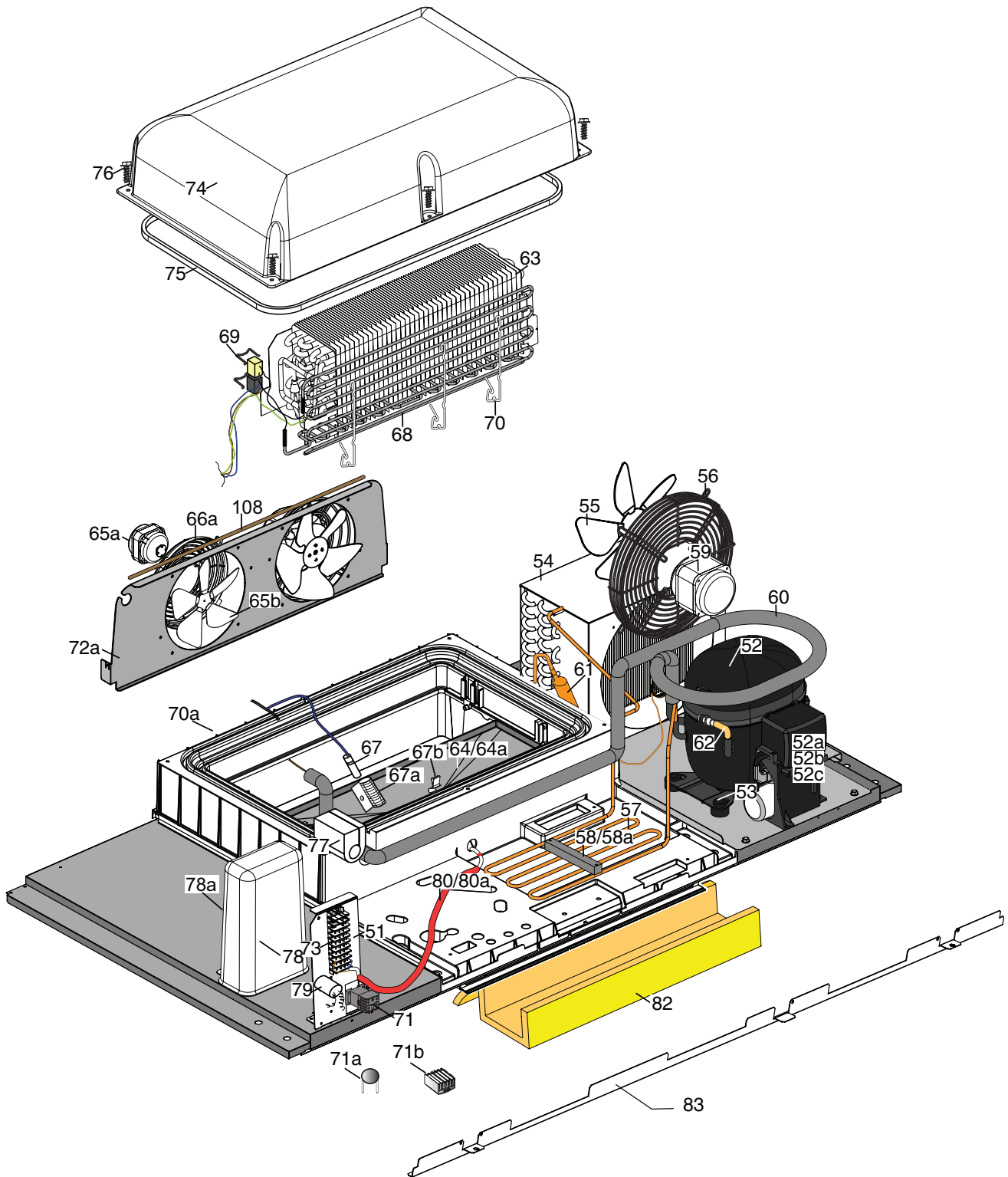
**Note:** per la corretta identificazione dei componenti, attenersi esclusivamente alle pagine indicate e alla lettera di riferimento.

**Note:** for the correct identification of the components, follow the indicated pages and the reference letter.

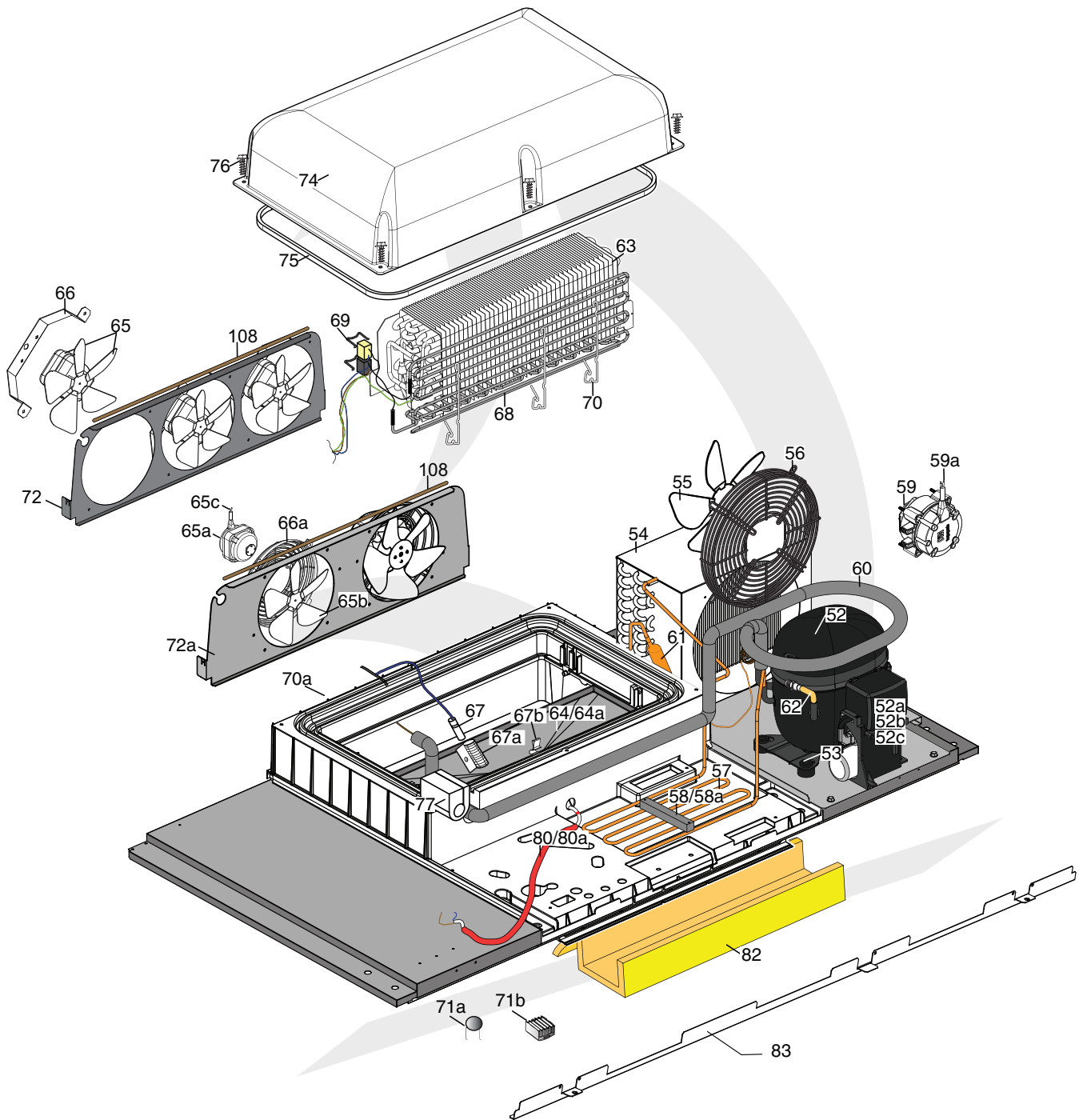
	Index	Indice
Pag. 3	Cabinet and door	Armadio e porta
4	Cooling unit assembly up to wk 37/2021	Gruppo refrigerante fino a wk 37/2021
5	Cooling unit assembly from wk 38/2021	Gruppo refrigerante da wk 38/2021
6	Control panel up to wk 37/2021	Pannello comandi fino a wk 37/2021
7	Control panel from wk 38/2021	Pannello comandi da wk 38/2021
8-10	Spare parts list	Lista ricambi



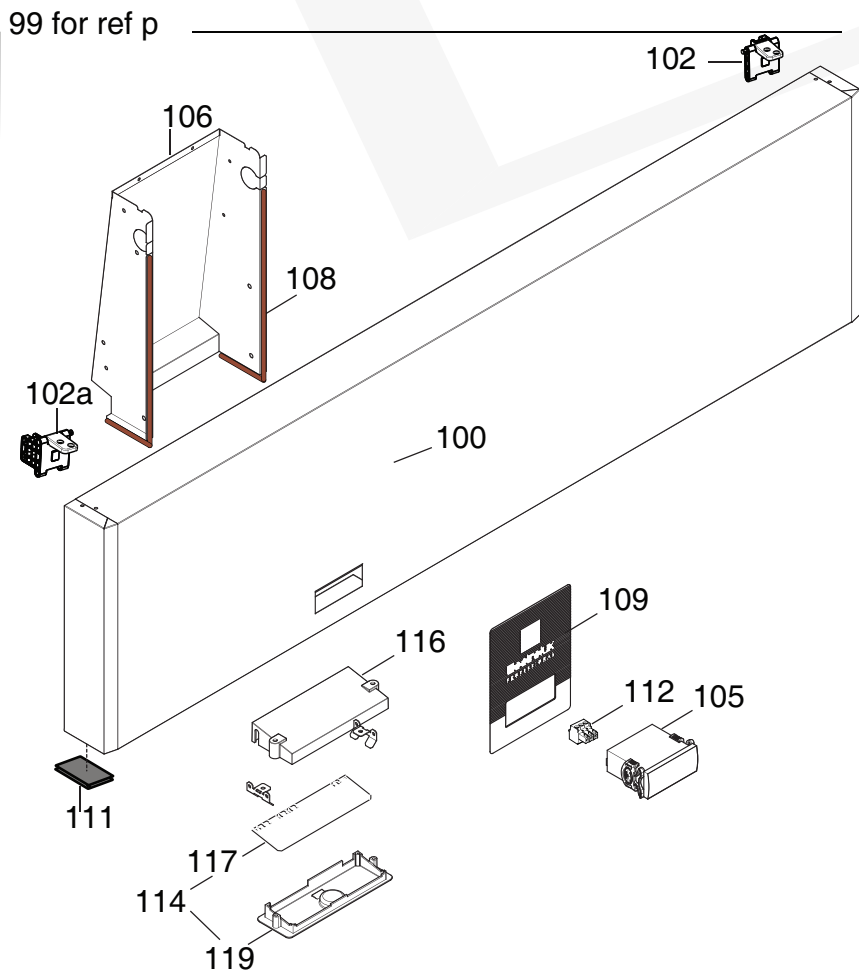
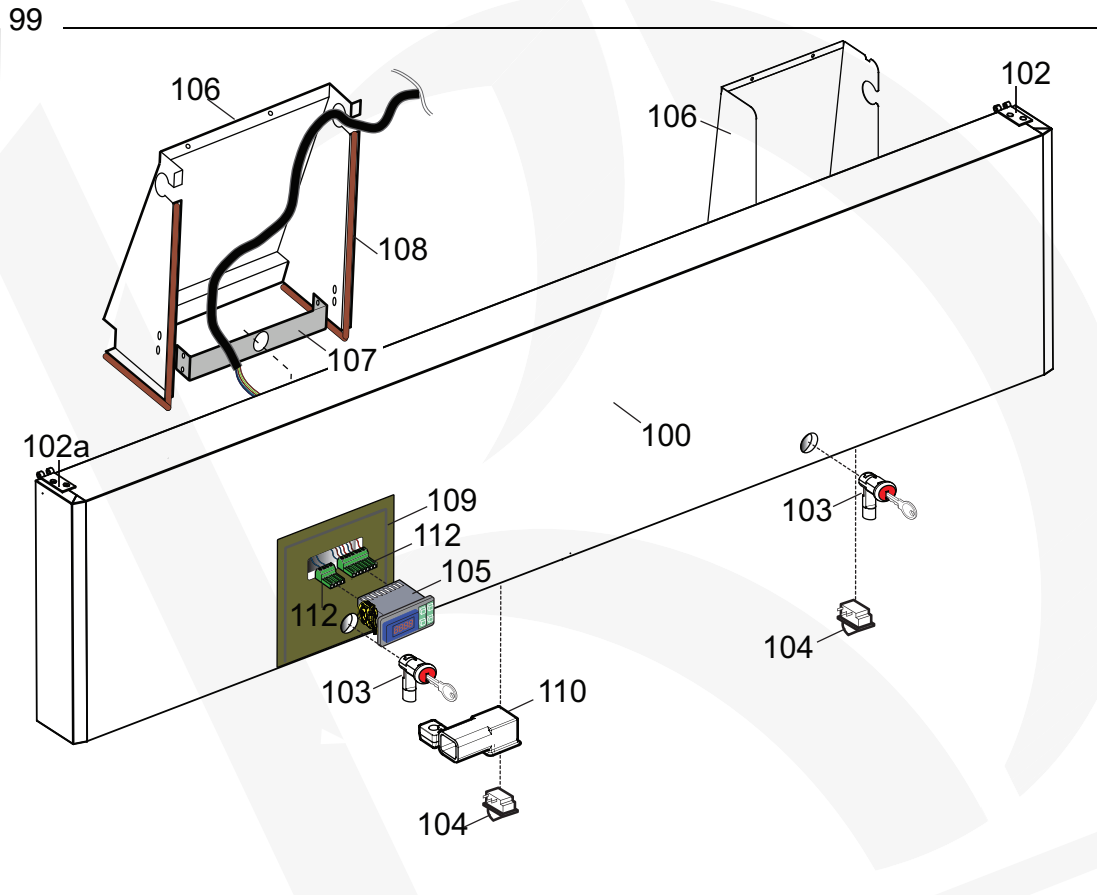
# COOLING UNIT ASSEMBLY UP TO WK 37/2021



# COOLING UNIT ASSEMBLY FROM WK 38/2021

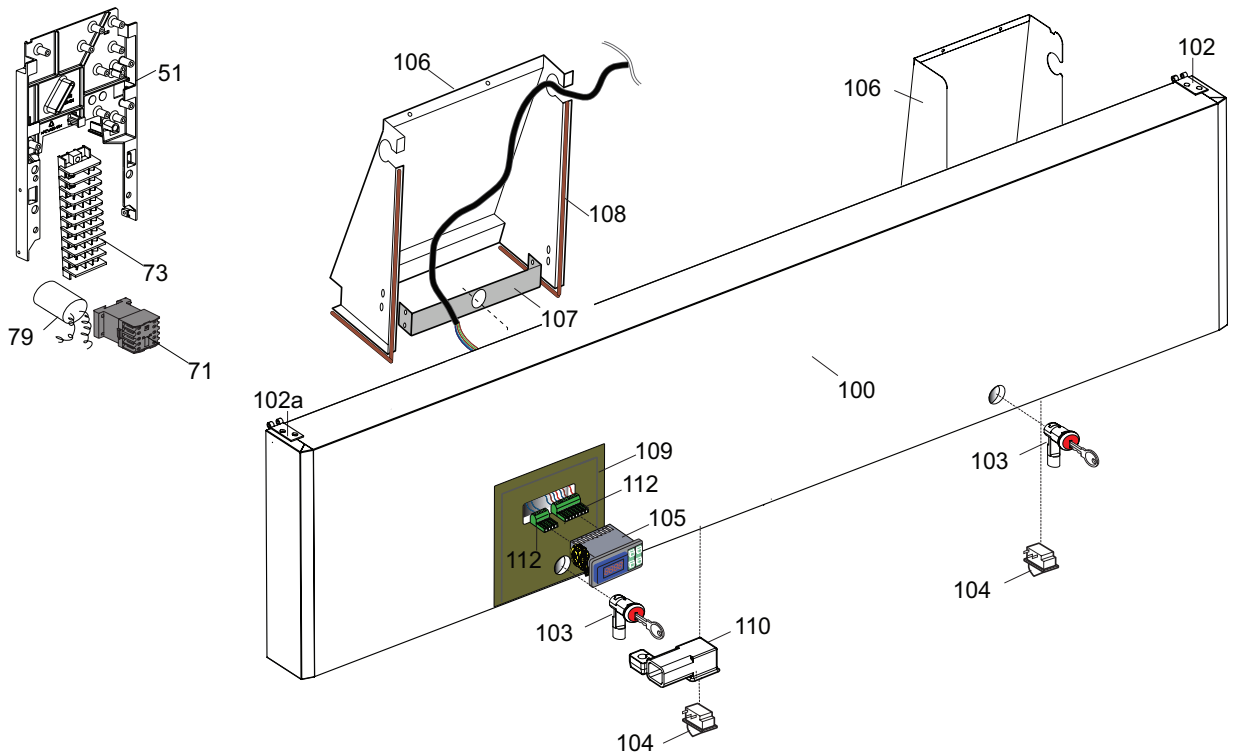


# CONTROL PANEL UP TO WK 37/2021

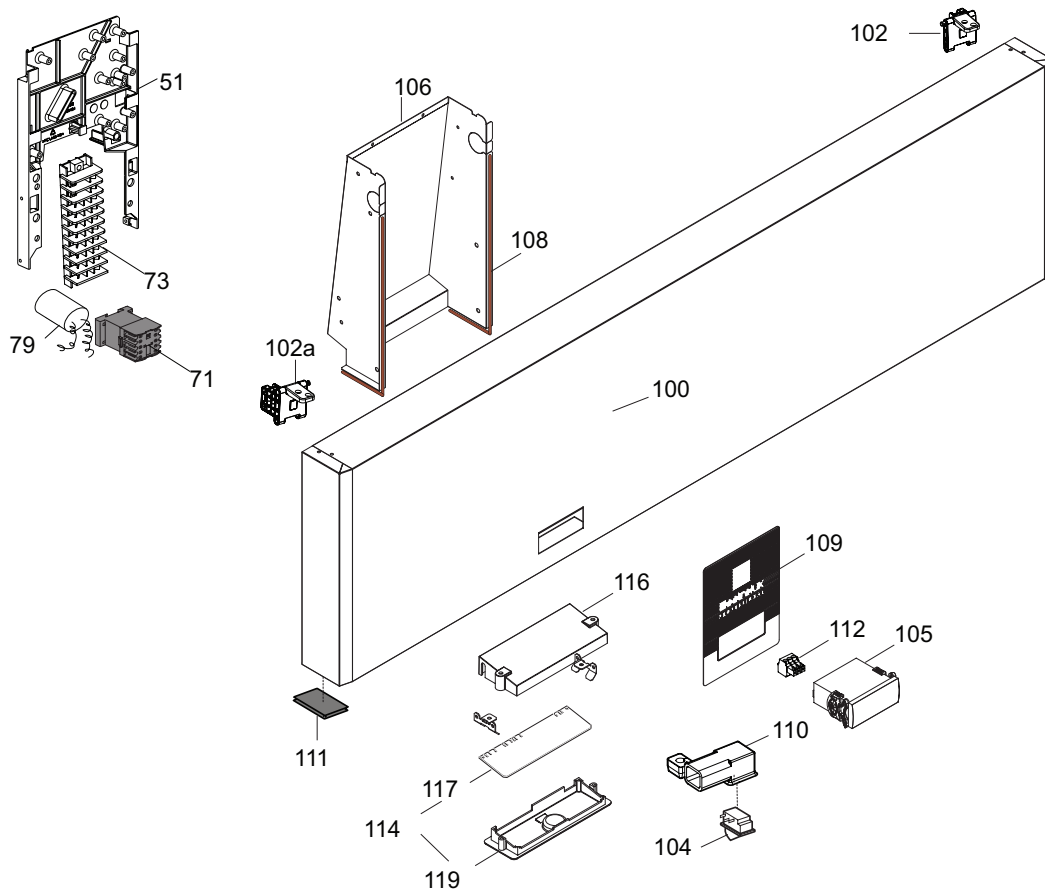


# CONTROL PANEL FROM WK 38/2021

99



99 for ref p



Pos	Fact .Code	Code	Descrizione	Description	Ref - Note
1	541R05001	093243	Piedino	Foot	c,f,i,n,s
1	518R03900	094098	Piedino Marine	Marine Foot	k
2	217555204	093245	Vite per plastica per piedino	Screw ( use by fix foot)	
3	518708601	093246	Vite M8x20 per fiss. staffa sup/inf	Screw M8X20 ( use by fix bracket)	
4	502R17500	093394	Staffa supporto fianchi	Side support	
6	501R38201	093249	Cremagliera anteriore/posteriore	Front/back Rack	
7	501R47900	093250	Guida Sx	Left support	
7	501R63900	095061	Guida Sx Marine	Marine Left support	k
8	501R48100	093251	Guida Dx	Right support	
8	501R64000	095062	Guida Dx Marine	Marine Right support	k
9	514R10600	093252	Griglia 2/1 rilsan	Grid 2/1rilsan	
9a	514R11700	093397	Griglia centrale	Central grid	
10	514R12200	093253	Griglia di fondo rilsan	Bottom grid rilsan	
11	501R62100	093490	Supporto centrale cremagliere	Rack support	
12	832R09202	093545	Cornice orrizzontale	Orrizzontal frame	
12a	832R09101	093255	Cornice verticale	Vertical frame	
12b	832R09401	093399	Cornice verticale montante	Vertical frame central support	
13	617R06801	093400	Cavo riscaldante cornice 28,95 W	Heating cable frame 28,95 W	
13a	617R06900	093402	Cavo riscaldante cornice 15,98 W	Heating cable frame 15,98 W	
14	835R24309	093309	Porta con guarnizione, cerniera bt	Gasket, hinge, and door	a,c,d,f,g,i,j,k, l,n,o,q,s
14	835R24508	093312	Porta con guarnizione, cerniera A430	Gasket, hinge, and door A430	b,e,h,m
14	835R75700		Porta con guarnizione, cerniera	Gasket, hinge and door with light	p
15	835R24208	093311	Porta 304 bt	Door (left) A304	a,c,d,f,g,i,j,k, l,n,o,q,s
15	835R24408	093310	Porta 430	Door (left) A430	b,e,h,m
15	835R75800	*	Porta 304 bt	Door (left) A304	p
16	548R08000	094152	Guarnizione porta cieca	Gasket full door	
17	835704001	082219	Cerniera porta	Hinge door	
18	544700601	081654	Boccola per porta	Door bush	
19	833R21600	093341	Staffa inferiore porta	Lower stirrup door	
20	505723802	082257	Staffa superiore porta	Upper stirrup door	
21	541R05301	093271	Tappo per cerniere	Hole hinge plug	
22	835R24900	093574	Ruota rotante con freno	Brake weel	a,b,d,e,g,h,l,m
22	835739900	087110	Ruota rotante con freno	Brake weel	o,q,r
23	835R24800	093575	Ruota rotante senza freno	Weel	a,b,d,e,g,h,l,m
23	835740000	087111	Ruota rotante senza freno	Weel	o,q,r
51	502R24300		Supporto impianto elettrico	Electrical wiring support	All except for r Up to 2021/37
51	546R43401	097284	Supporto impianto elettrico	Electrical wiring support	b,c,e,f,h,i,j,n,o,p From 2021/38
52	684R06000	093423	Compress. NT2210U 220-40V/ 50	Compressor NT2210U 220-40V/ 50	
<b>52a</b>	*	<b>09A27H</b>	<b>Relè avviamento</b>	<b>Start relay</b>	
<b>52b</b>	*	<b>09A27H</b>	<b>Protettore</b>	<b>Protector</b>	
<b>52c</b>	*	<b>09A27H</b>	<b>Condensatore di avviamento</b>	<b>Start capacitor</b>	
53	*	*	Fissaggio compressore	Rubber compressor	
54	830R05000	093404	Condensatore 25X21,65	Condenser	
55	511704600	084780	Ventola 254-34	Ventola 254-34	
56	514R07500	092651	Protezione ventola	Fan protection	
57	515R13001	093405	Serpentina evap. acqua di conden.	Evaporation water pipe	
58	501R41700	093406	Staffa fissaggio serpentina	Stopper pipe	
58a	543R09300	093260	Blocchetto fissaggio serpentina	Stopper pipe	
59	682R12900	097066	Ventilatore cond	Condenser fan	
59a	635R37900	097055	Cablaggio ventilatore	Fan wiring	From 2021/38
60	858R07100	096599	Scambiatore R290	Heat exchanger	
61	805733702	0A9371	Filtro	Dehidrator filter	
62	845708500	0A9459	Valvola per compressore	Compressor valve (charge or disch.)	
63	830R04301	093408	Evaporatore 5R 8T 2 circ.	Evaporator 5R 8T	
64	833R21201	093278	Vaschetta evaporatore	Evaporator tray	
64a	548R07200	093409	Isolante per vaschetta evaporatore	Evaporator tray insulation	
<b>65</b>	<b>682R02C00</b>	<b>097000</b>	<b>Ventilatore evaporatore FIME</b>	<b>Evaporator fan FIME</b>	<b>From 2022/12</b> <b>Up to 2023/49</b>
65a	682R06500	093410	Ventilatore evaporatore ebm	Evaporator fan EBM	replaced by 096661
65a	682R08700	094487	Ventilatore evaporatore ebm	Evaporator fan EBM	replaced by 096661
<b>65a</b>	<b>682R12800</b>	<b>096661</b>	<b>Ventilatore evaporatore ebm</b>	<b>Evaporator fan</b>	<b>Up to 2022/11</b>
<b>65a</b>	<b>682R12800</b>	<b>096661</b>	<b>Ventilatore evaporatore ebm</b>	<b>Evaporator fan</b>	<b>From 2023/50</b>
<b>65b</b>	<b>511R01100</b>	<b>093411</b>	<b>Ventola ventilatore evaporatore</b>	<b>Evaporator fan blade</b>	<b>Up to 2022/11</b>

Pos	Fact .Code	Code	Descrizione	Description	Ref - Note
<b>65b</b>	<b>511R01100</b>	<b>093411</b>	<b>Ventola ventilatore evaporatore</b>	<b>Evaporator fan blade</b>	<b>From 2023/50</b>
65b	511R01100	093411	Ventola ventilatore evaporatore	Evaporator fan blade	k
<b>65c</b>	<b>635R37900</b>	<b>097055</b>	<b>Cablaggio ventilatore</b>	<b>Fan wiring</b>	<b>From 2021/38</b>
<b>65c</b>	<b>635R37900</b>	<b>097055</b>	<b>Cablaggio ventilatore</b>	<b>Fan wiring</b>	<b>Up to 2022/11</b>
65c	635R37900	097055	Cablaggio ventilatore	Fan wiring	<b>From 2023/50</b>
<b>66</b>	<b>502R52400</b>	<b>093326</b>	<b>Staffa motore</b>	<b>Fan support</b>	<b>From 2022/12</b>
<b>66a</b>	<b>514R12300</b>	<b>093412</b>	<b>Griglia EBM per ventilatore evap.</b>	<b>Protection fan EBM</b>	<b>Up to 2023/49</b>
<b>66a</b>	<b>514R12300</b>	<b>093412</b>	<b>Griglia EBM per ventilatore evap.</b>	<b>Protection fan EBM</b>	<b>Up to 2022/11</b>
66a	514R12300	093412	Griglia EBM per ventilatore evap.	Protection fan EBM	<b>From 2023/50</b>
67	646R06700	092173	Sonda cella	Cavity probe	k
67a	546R07500	091601	Gabbietta per sonda	Probe protection	
67b	514R12900	093547	Fermo per cavo riscaldante	Stopper/spring for heating cable	
68	617R06300	093413	Resistenza con termost. 750w	Heating element with thermostat	
69	514R11601	093487	Molla per fissaggio termostati	Thermostat spring	
70	514R10900	093548	Molla per fissaggio resistenza 5R	Heating element spring 5R	
71	648R06300	093848	Rele' FINDER 66.82.8.230.0001	Relay FINDER 66.82.8.230.0001	
71a	648R05300	093776	Varistore Elco VAR 285	Varistor Elco VAR 285	
71b	648R05700	093775	Dissipatore Opto 22	Electrical heat exchanger	
<b>72</b>	<b>501R44903</b>	<b>093573</b>	<b>Convogliatore evaporatore 3 fori</b>	<b>Evaporator conveyor 3 holes</b>	<b>From 2022/12</b>
<b>72a</b>	<b>501R44803</b>	<b>093314</b>	<b>Convogliatore evaporatore 2 fori</b>	<b>Evaporator conveyor 2 holes</b>	<b>Up to 2023/49</b>
<b>72a</b>	<b>501R44803</b>	<b>093314</b>	<b>Convogliatore evaporatore 2 fori</b>	<b>Evaporator conveyor 2 holes</b>	<b>Up to 2022/11</b>
72a	501R44803	093314	Convogliatore evaporatore 2 fori	Evaporator conveyor 2 holes	<b>From 2023/50</b>
73	639R09900	093528	Morsettiera	Clamp	k
73	856R20402		Morsettiera	Clamp	All except p
73	855R0AF00		Morsettiera	Clamp	p up to 2022/41
74	835R24101	093261	Assieme Calotta	Evaporator cover	p from 2022/42
74	835R47601	*	Assieme Calotta	Evaporator cover	Up to 6181
75	14701R003	093262	Neoprene espa. 8x13,3 nero (M4)	Gasket cover ( neoprene 8x13,3)	From 6191
76	217555204	093245	Vite senza punta x plastica 7 -20	Cover screw	
77	546R19702	093263	Tamponcino per tubi	Pipe cover insulation	
78	546R26501	094425	Copertura scatola impianto elettrico	Wiring box cover	Not for p,r
78a	546R26701	093976	Scatola impianto elettrico	Wiring box	Not for p,r
79	694R00502	096636	Filtro antidisturbo	Electrical filter	
<b>79</b>	<b>694700800</b>	<b>084987</b>	<b>Filtro antidisturbo</b>	<b>Electrical filter</b>	<b>p</b>
80	617R07801	093415	Resistenza scarico condensa	Drain heating	
80a	110067013	093416	Guaina per resistenza scarico con.	Drain heating cable protection	
82	559R01900	093489	Coibentazione carter	Air blanketing	
83	501R49702	094617	Rivestimento ant. sup. AISI 304	Upper front covering AISI 304	
85					
99	880R56810	*	Cruscotto con termoregolat.	Panel with termoregulator	a,c,d,f,g,i,l,o,q
99	880R56904	*	Cruscotto con termoregolat.	Panel with termoregulator	b,e,h,m
99	883R27701	*	Cruscotto con termoregolat.	Panel with termoregulator	up to 2021/37
<b>99</b>	<b>883R80505</b>	*	<b>Cruscotto con termor. A304 con luce</b>	<b>Panel with termoregulator A304 with light</b>	<b>p from 2021/38</b>
99	883R79601	*	Crusc. con termor. A304 BT R290	Panel with termoregulator A304BT R290	c,f,i,n,o,r
99	883R79400	*	Cruscotto con termor. A430 UK R290	Panel with termoregulator A430 UK R290	from 2021/38
99	883R87900	*	Crusc. con termor. A304 BT R290 UK	Panel with termoregulator A304BT R290 UK	b,e,h from 2021/38
99	883R78202		Cruscotto con termoreg. A304 MARINE	Panel with termoregulator A304 MARINE	j,s
100	509R13004	095827	Cruscotto A304	Panel 304 AISI	a,c,d,f,g,i,l,o,q
100	509R13104	094436	Cruscotto A430	Panel 430 AISI	b,e,h,m
100	509R25301	*	Cruscotto A430	Panel 430 AISI	up to 2021/37
100	509R25700	*	Cruscotto A304	Panel 304 AISI	b,e,h from 2021/38
100	509R25701	097283	Cruscotto A304	Panel 304 AISI	p up to 2021/37
100	509R26900	*	Cruscotto A304	Panel 304 AISI	p from 2021/38
100	509R25201	097278	Cruscotto A304	Panel 304 AISI	Up to 2022/41
100	509R26700		Cruscotto MARINE	Panel MARINE	p from 2022/42
102	832R10100	093609	Cerniera per cruscotto	Hinge for panel	c,f,i,j,n,o,r,s
102a	832R10200	093610	Cerniera per cruscotto	Hinge for panel	from 2021/38
103	833R20900	093345	Serratura	Lock	k
103	833R21100	093433	Serratura	Lock	
104	640R02100	094035	Micro porta	Door switch	p
104	640R02100	094035	Micro porta	Door switch	Always except for p
					For p from 2022/42

Pos	Fact .Code	Code	Descrizione	Description	Ref - Note
105	646R10803	093328	Termoregolatore ir33 IMEL1J0545	Thermoregulator IMEL1J0545	To be set Up to 2022/41 Order KIT 097586 See TB VTX2022_08
105	646R11101	093434	Termoregolatore ir33 IMEL1J0548	Thermoregulator IMEL1J0548	p up to 2022/48 Order KIT 097629 See TB VTX2023_02
105	855R18400	097579	Termoregolatore IJF	Thermoregulator IJF	From 2022/42 Up to 2024/19 Except for p To be set
105	855R18400	097579	Termoregolatore IJF	Thermoregulator IJF	From 2022/49 Up to 2024/19 - p To be set
<b>105</b>	<b>855R0BY00</b>	<b>09A1NM</b>	<b>Termoregolatore IJF</b>	<b>Thermoregulator IJF</b>	<b>From 2024/20</b> <b>To be set</b>
106	501R37403	094389	Protezione	Protection led-lamp	p up to 2021/43
106	504R35000	097245	Protezione	Protection led-lamp	p from 2021/44
106	546R26601	093975	Protezione	Protection led-lamp	Up to 2022/41 b,c,e,f,h,i,n,o,q,r
106	504R39300	097576	Protezione	Protection	Up to 2022/41 From 2022/42
107	501R37502	093354	Staffa fiss. protez.termoregolatore	Bracket support	Up to 2021/37
107	504R24400		Staffa fiss. protez.termoregolatore	Bracket support	p
108	140088006	0L0113	Guarnizione	Guarnizione	
109	755R03902	093268	Membrana adesiva	Stiker	Up to 7381
109	755R03902	093268	Membrana adesiva	Stiker	n
109	598R81500	095022	Membrana adesiva Zanussi	Zanussi sticker	For Zanussi products
109	598R81601	095023	Membrana adesiva Electrolux	Electrolux sticker	From 7391 for To brand products
109	598R81701	095024	Membrana adesiva Alpen	Alpen sticker	For Alpen products
109	598R98501		Membrana adesiva Elux Prof	Elux Prof sticker	p - Elux Prof Up to 2022/41
109	595R75500	097612	Membrana adesiva Elux Prof	Elux Prof sticker	p - Elux Prof from 2022/42
109	598R99100		Membrana adesiva Zanussi	Zanussi sticker	p - Zanussi Up to 2022/41
109	595R75700	097614	Membrana adesiva Zanussi	Zanussi sticker	p - Zanussi from 2022/42
109	598R99200		Membrana adesiva Alpen	Alpen sticker	p - Alpen Up to 2022/41
109	595R75600	097613	Membrana adesiva Alpen	Alpen sticker	p - Alpen from 2022/42
598R98301			Membrana	Sticker	b,c,k,r
109	598R95600		Membrana Blizzard Professional	Blizzard Professional membrane	m
109	598R98601	097058	Membrana Zanussi	Zanussi membrane	e,f,j
110	546R12100	092353	Protezione micro	Door switch protection	Always except for p
110	546R12100	092353	Protezione micro	Door switch protection	For p from 2022/42
112	639R06800	*	Connettore dritto 3 vie	Connector 3 ways right	
112	639R06900	*	Connettore dritto 7 vie	Connector 7 ways right	
112		099740	Connettore 90° 7 vie	Connector 7 ways 90°	
112		099741	Connettore 90° 5 vie	Connector 5 ways 90°	
112		088998	Connettore 90° 3 vie	Connector 3 ways 90°	
112		099743	Connettore 90° 3 vie piccolo	Connector 3 ways 90° small	
112		099742	Connettore 90° 2 vie	Connector 2 ways 90°	
112		091682	Connettore 90° 4 vie	Connector 4 ways 90°	
112		091684	Connettore 90° 5 vie	Connector 5 ways 90°	
112	639R04V00	097578	Connettore femmina 3 vie	Connector 3 ways female	From 2022/42
114	855R12801	093809	Led +supporto per termoreg. IR33	Led-lamp + support for thermoreg. IR33	p up to 2022/41
114	855R0A000		Led +supporto per termoreg. IJF	Led-lamp + support for thermoreg. IJF	p from 2022/42
115	546R19501	093386	Supporto scheda led	Support led-lamp	p
116	546R19601	093387	Protezione scheda led	Protection led-lamp	p
117	648R05001	093389	Scheda led per termoreg. IR33	Led-lamp board for thermoreg. IR33	p up to 2022/41
117	648R02J00		Scheda led per termoreg. IJF	Led-lamp board for thermoreg. IJF	p from 2022/42
119	569R05900	093390	Guarnizione per scheda led	Ledlamp board gasket	p